

TECHNICAL DATA SHEET

## Dark Grey Conductor Range

High quality components for securing aluminium and copper conductors

furse



Furse Dark Grey Conductor Range is used to carry the current of a lightning strike safely to the earth termination network. These fixings secure both copper and aluminium conductor to flat and tiled surfaces.

### Features & benefits

- **Aesthetic**  
Finished in dark grey to create a consistent aesthetic throughout the conductor network system.
- **Versatile installation**  
The range of clips provide a full coverage of mounting applications within the conductor network.
- **High quality materials**  
Manufactured from UV stabilized polypropylene which prevents degradation by sunlight and is also non brittle to stop cold weather damage.
- **Easy to install**
  - Designed with a mounting hole for ease of installation.
  - Push fit to secure the conductor within the fixing.
  - The Slate Holdfast tail can be fixed to tile lathe for secure fitting.
- **Application**  
These components are used in conjunction with each other to create a safe and secure aluminium or copper conductor network within a lightning protection system.

**Product information**

Part no.	ABB order code	Description	Conductor size (mm)	Length (m)	Dimensions (mm)			Weight per metre (kg)	Weight each (kg)
					A	B	C		
TA116	7TCA083050R0019	25 x 3mm PVC covered dark grey aluminium tape	25 x 3	50	-	-	-	0.3	-
TC116-FU	7TCA083020R0067	25 x 3mm PVC covered dark grey HC copper tape	25 x 3	25	-	-	-	0.77	-

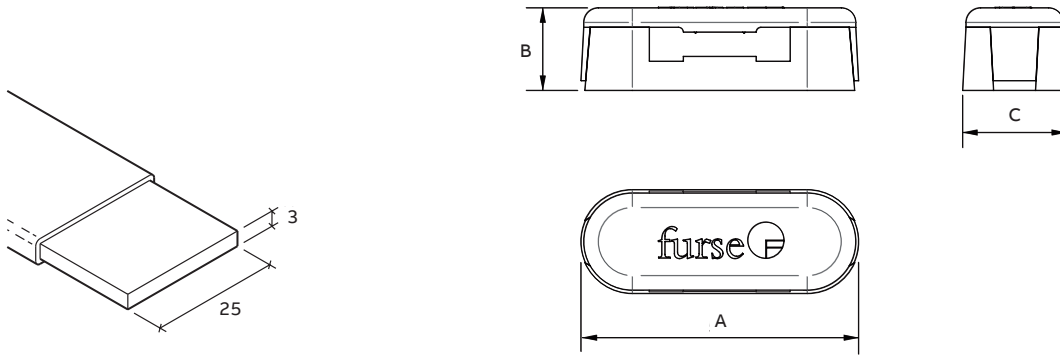
\* Every precaution has been taken to ensure the UV stability of PVC coverings, but as with all plastics, colour variation will occur over time.  
 \*\* All PVC covered tape is sold in full coil lengths only.

**For use with PVC covered tape**

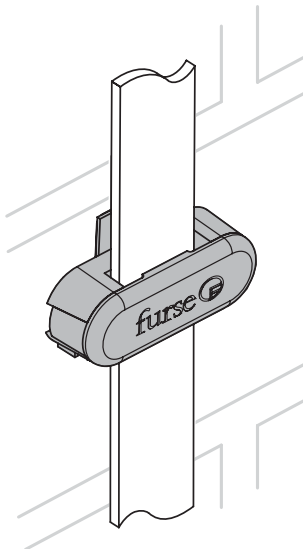
CP033	7TCA083550R0129	25 x 3mm dark grey non-metallic DC clip	25 x 3	-	57	17	21	-	0.01
HF033	7TCA083540R0038	Slate holdfast with 25 x 3mm dark grey non-metallic DC clip	25 x 3	-	500	19	-	-	0.06

\* High Grade Polypropylene, UV stabilized against degradation by sunlight and non-brittle to prevent cold weather damage.  
 \*\* Fix using countersunk wood screws 1½" No.10 or M6 (part no. SW005 or SW105) and wall plugs (Part no. PS305).  
 \*\*\* The slate holdfast 500mm tail fits neatly between overlapping tiles and is wrapped around/fixed to the tile lathe for secure fitting.

**Dimensions**



**Typical installation CP033**



**Typical installation HF033**

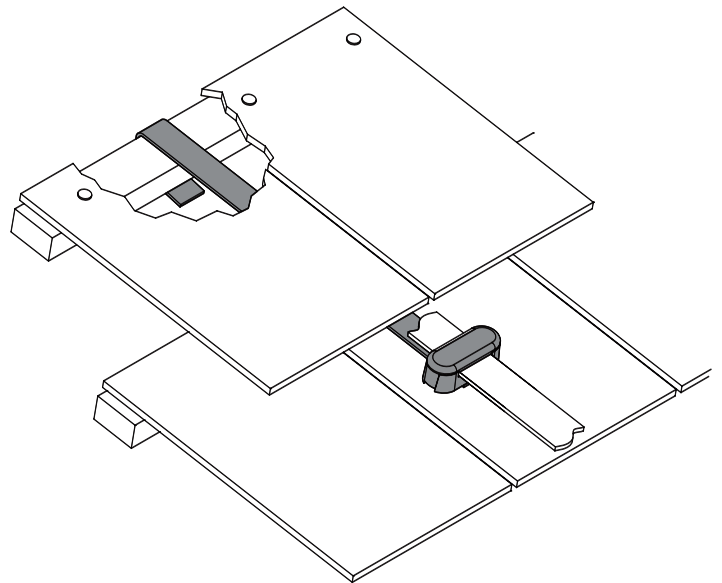


ABB Limited  
 Furse  
 Wilford Road  
 Nottingham  
 NG2 1EB UK  
 Tel: +44 (0) 115 964 3700

[www.furse.com](http://www.furse.com)

We reserve the right to make technical changes or modify the contents of this document without prior notice. With regard to purchase orders, the agreed particulars shall prevail. ABB AG does not accept any responsibility whatsoever for potential errors or possible lack of information in this document.

We reserve all rights in this document and in the subject matter and illustrations contained therein. Any reproduction, disclosure to third parties or utilisation of its contents – in whole or in parts – is forbidden without prior written consent of ABB AG. Copyright © 2020 ABB. All rights reserved.