

Stanilite®

Weatherproof LED batten Nexus® extended duration



Range

Platinum range

Product group

Batten LED



Features



- Nexus wireless monitored, extended emergency operation to 240 minutes
- Typically 3,500 lumens on mains AC operation
- Weatherproof rating IP65
- IK08 impact rating
- Ceiling, wall mount or suspension mounting (wall mount requires optional 45° mounting brackets)
- Higher wall mount classification using optional wall mount brackets
- Long LED life 54,000 hours
- Colour temperature 4,000K
- Higher colour rendering index CRI>80
- Mains terminal block accepts up to 2.5mm² cable
- Advanced charging technology combined with Lithium iron phosphate battery for longer life and low maintenance
- External mounting clips for ease of installation
- Stainless steel diffuser clips
- High efficiency frosted polycarbonate diffuser
- AC efficacy typically 120 lumens/watt
- Ambient operating temperature; +10°C to +40°C

Motion detect option

- Microwave motion detect sensor with settings for delay time, detection range and light value function
- Luminaire is not switched on if there is adequate ambient illumination in the area sensed
- Energy-efficient and cost-effective operation thanks to “corridor function” which dims the light to only 10% output with no movements detected and increase the light back to 100% when presence is detected
- Maximum installation height 5m; variable 0.5 - 5.0m

Catalogue no.	Description
PBLWRF35LM240	Weatherproof IP65 Nexus RF LED batten 4ft 3500 lumens maintained, extended emergency operation to 240 minutes
PBLWRF35LMMD240	Weatherproof IP65 Nexus RF LED batten 4ft 3500 lumens maintained, extended emergency operation to 240 minutes with motion sensor

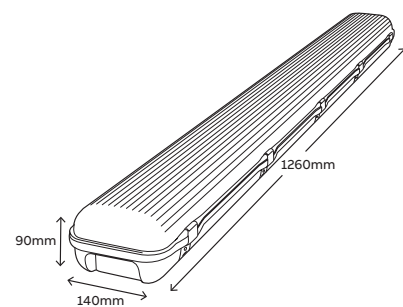
Note: AC versions also available

Accessories

21-PCCSBLW	Polycarbonate clips
26-PBMD001	Wall mount bracket pair 45°
PBLWSS316-KIT	SS316 marine grade accessory kit (includes diffuser clips x 10, suspension clips x 2, mounting bracket x 2 and M4 x 8 screws x 2)

Spare parts

03-01337	Battery LiFePO4 6.4V 6.4Ah
----------	----------------------------



Dimensions

Length	Width	Bare height
1260mm	140mm	90mm

Weight

Model	Weight
Nexus RF	3.2kg

Construction

Part	Construction
Reflector	Powder coated steel
Body and diffuser	Polycarbonate
Clips	Stainless steel

Light source	
Model	Light source
Nexus RF	LED strips

Power consumption			
Model	Normal	S/A off	Standby
Nexus RF	30.5W	1W	N/A
Nexus RF motion detect	31.5W	1W	6.3W

Note: Preliminary results

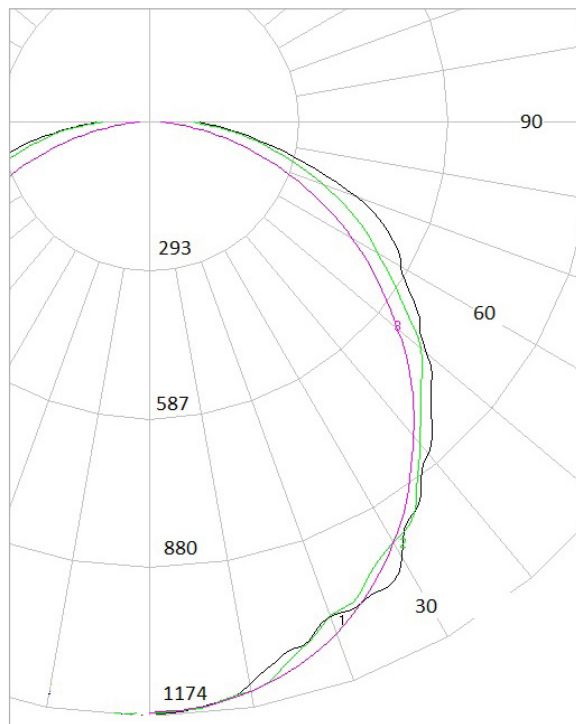
Photometrics		
Model	Class	Classification
Nexus RF ceiling mount	C0	D80
	C90	D63
Nexus RF wall mount 45°	C0	D100
	C90	D80

Note: Preliminary results

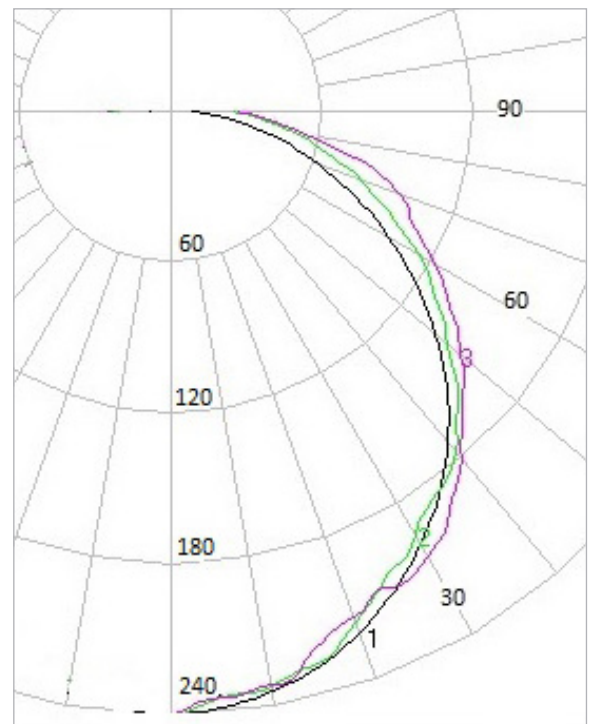
Note:

- AC designed to comply with AS/NZS60598.2.1 and meet relevant Australian EMC standards
- EM designed to comply with AS2293.3 and meet relevant Australian EMC standards

AC polar diagram



EM polar diagram



Note on AC/EM polar diagrams:

- Legend C0:1 black, C45.2 green, C90.3 cyan
- Two plane symmetry C0:C90